



Service Manual

STEREO AMPLIFIER

SA-506

 **PIONEER®**

2. SCHEMATIC DIAGRAMS, P.C. BOARD PATTERNS

2.1 SCHEMATIC DIAGRAM

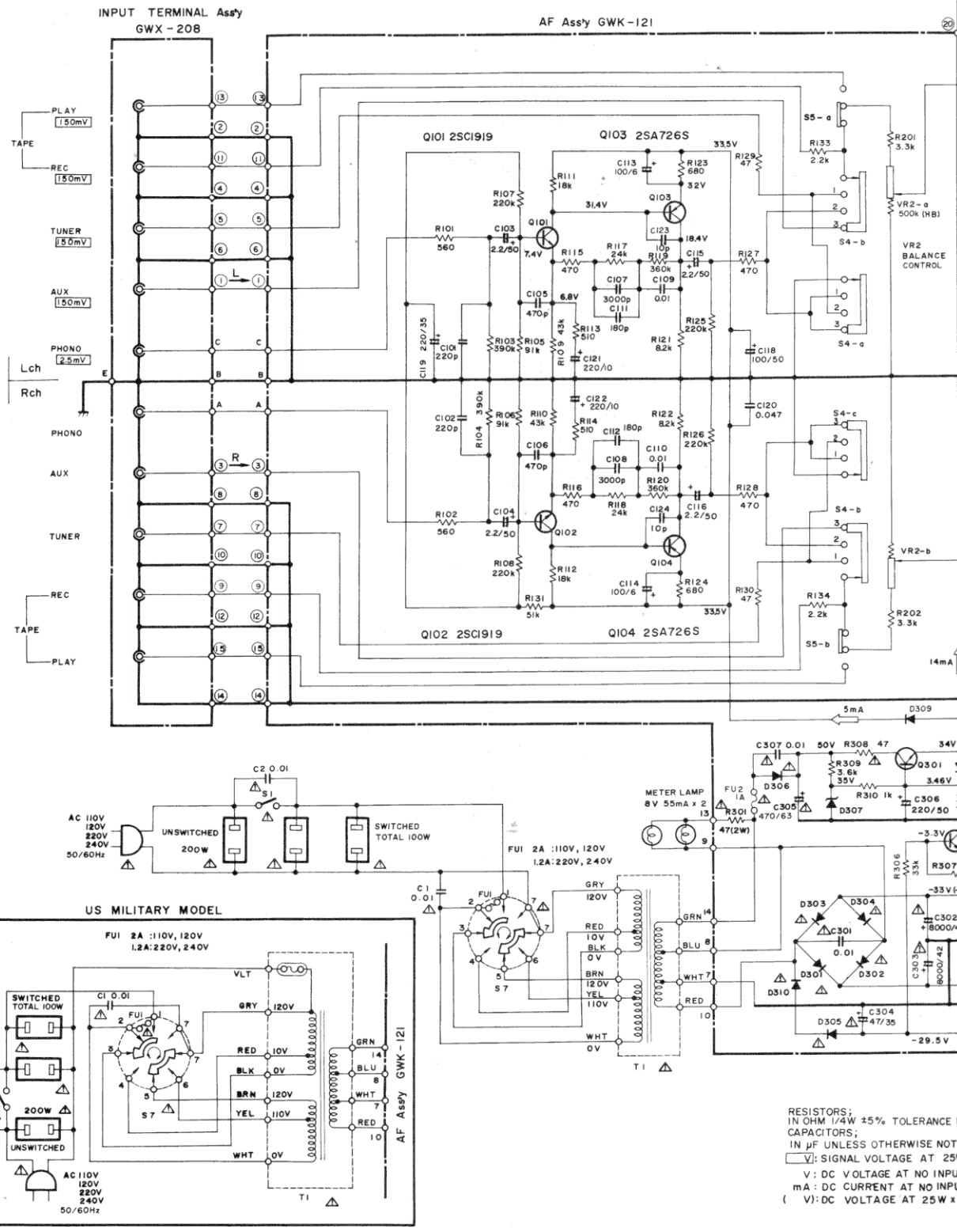
VOLUME Assy
GWX - 203

A

B

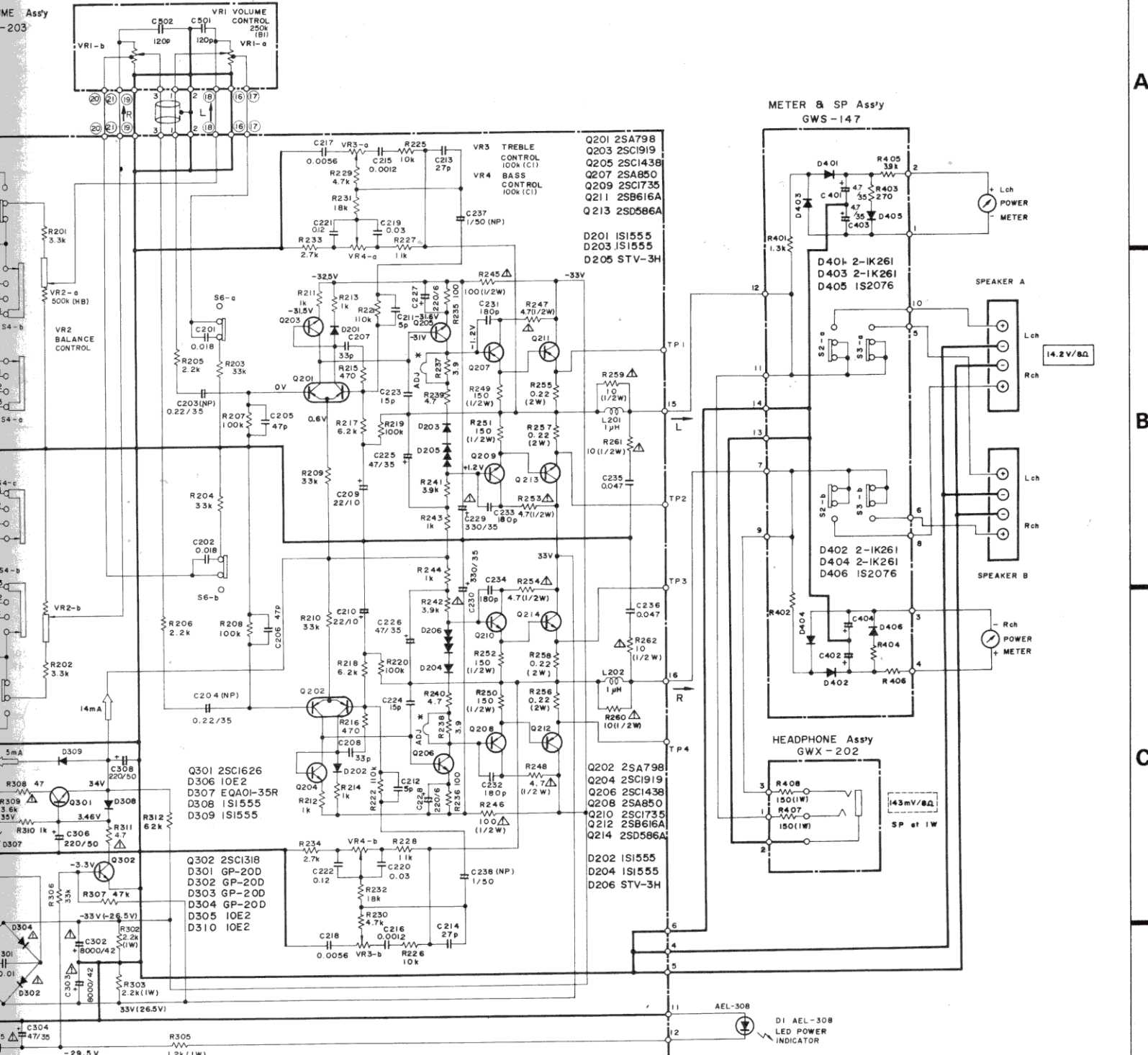
C

D



RESISTORS:
IN OHM 1/4W ±5% TOLERANCE UNLESS OTHERWISE NOTED
CAPACITORS:
IN µF UNLESS OTHERWISE NOTED
V: SIGNAL VOLTAGE AT 25W
V: DC VOLTAGE AT NO INPUT
mA: DC CURRENT AT NO INPUT
(V): DC VOLTAGE AT 25W x 2

TERMS AND PARTS LIST



RESISTORS: 5% TOLERANCE UNLESS OTHERWISE NOTED k:kΩ M:MΩ
 CAPACITORS: UNLESS OTHERWISE NOTED p:pF
 SIGNAL VOLTAGE AT 25W x 2 Ω OUTPUT (1kHz)
 VOLTAGE AT NO INPUT SIGNAL
 CURRENT AT NO INPUT SIGNAL
 VOLTAGE AT 25W x 2 Ω OUTPUT

This is the basic schematic diagram, but the actual circuit may vary due to improvements in design.

The Δ mark found on some component parts indicates the importance of the safety factor of the part. Therefore, when replacing be sure to use parts of identical designation.

- SWITCHES:
- | | |
|----------------------|---------------------------|
| S1: POWER OFF-ON | S5: TAPE MONITOR OFF-ON |
| S2: SPEAKER A OFF-ON | S6: LOUDNESS OFF-ON |
| S3: SPEAKER B OFF-ON | S7: LINE VOLTAGE SELECTOR |
| S4: FUNCTION | |
| 1 TUNER | 1 110V |
| 2 PHONO | 2 120V |
| 3 AUX | 3 220V |
| | 4 240V |
- The underlined indicates the switch position.